



US00D614303S

(12) **United States Design Patent**
Gausmann et al.

(10) **Patent No.:** **US D614,303 S**

(45) **Date of Patent:** **** Apr. 20, 2010**

(54) **EYE TREATMENT APPARATUS**

(75) Inventors: **Keith H. Gausmann**, Cary, NC (US);
Stephen M. Grenon, Durham, NC (US);
Julia Rose Anderson, Melrose, MA
(US); **David Chesley**, Duxbury, MA
(US); **Gary Prokop**, Wheaton, IL (US)

(73) Assignee: **TearScience, Inc.**, Morrisville, NC (US)

(**) Term: **14 Years**

(21) Appl. No.: **29/303,314**

(22) Filed: **Feb. 6, 2008**

(51) **LOC (9) Cl.** **24-02**

(52) **U.S. Cl.** **D24/150**

(58) **Field of Classification Search** D24/150,
D24/107, 101.1, 110.2, 120, 189; 128/858;
604/289, 291, 294, 295, 301, 290, 302; 600/400-406;
2/15, 12, 431

See application file for complete search history.

(56) **References Cited**

U.S. PATENT DOCUMENTS

1,006,945 A *	10/1911	Houston	604/302
1,924,315 A *	8/1933	Hemphill et al.	2/15
2,891,252 A *	6/1959	Lazo	2/15
3,333,586 A *	8/1967	Bellis et al.	604/308
4,261,364 A	4/1981	Haddad et al.		
4,778,457 A	10/1988	York		
4,883,454 A	11/1989	Hamburg		
4,914,088 A	4/1990	Glonek et al.		
4,955,377 A	9/1990	Lennox et al.		
5,030,214 A	7/1991	Spector		
5,151,100 A	9/1992	Abele et al.		
5,158,082 A	10/1992	Jones		
5,251,627 A	10/1993	Morris		
5,343,561 A *	9/1994	Adamo	2/15
5,368,582 A	11/1994	Bertera		
5,368,591 A	11/1994	Lennox et al.		
5,425,380 A *	6/1995	Hudson et al.	128/858
5,496,311 A	3/1996	Abele et al.		
5,601,548 A	2/1997	Smith et al.		
5,643,336 A	7/1997	Lopez-Claros		
5,700,238 A *	12/1997	Hyson	602/74
5,720,773 A	2/1998	Lopez-Claros		

5,958,912 A 9/1999 Sullivan
5,964,723 A 10/1999 Augustine

(Continued)

FOREIGN PATENT DOCUMENTS

JP 06269473 9/1994

(Continued)

OTHER PUBLICATIONS

Mori, A., et al., "Efficacy of the Treatment by the Disposable Eyelid Warming Instrument for Meibomian Gland Dysfunction," Poster Presentation, Hall A, 1 page.

Korb, Donald R., O.D., et al., "Meibomian Gland Dysfunction and Contact Lens Intolerance" Jnl American Optometric Association, vol. 51, No. 3, Mar. 1980, 9 pages (pp. 243-251).

(Continued)

Primary Examiner—Ian Simmons

Assistant Examiner—Wan Laymon

(74) *Attorney, Agent, or Firm*—Withrow & Terranova, PLLC

(57) **CLAIM**

The ornamental design for eye treatment apparatus, as shown and described.

DESCRIPTION

FIG. 1 is a perspective view of an eye treatment apparatus according to the present invention;

FIG. 2 is a front view thereof;

FIG. 3 is a rear view thereof;

FIG. 4 is a left side view thereof;

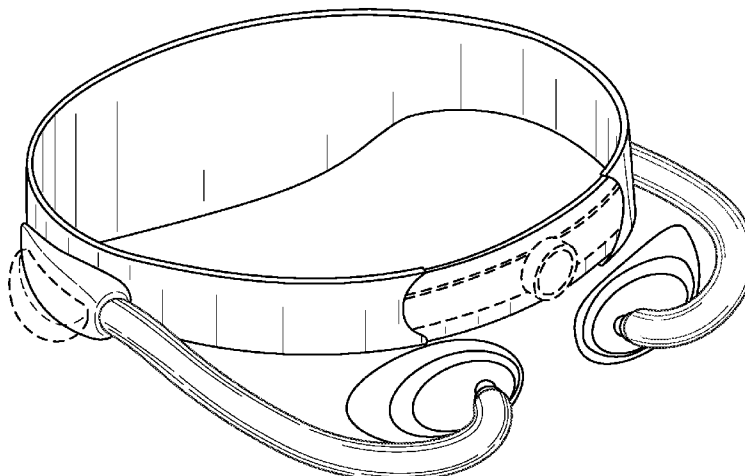
FIG. 5 is a right side view thereof;

FIG. 6 is a top view thereof; and,

FIG. 7 is a bottom view thereof.

The broken line showing a portion of an eye treatment apparatus is included for illustrating environmental structure and forms no part of the claimed design.

1 Claim, 5 Drawing Sheets



U.S. PATENT DOCUMENTS

6,024,095	A	2/2000	Stanley, III	
6,107,289	A	8/2000	Sullivan	
6,110,292	A	8/2000	Jewett et al.	
6,112,900	A	9/2000	Adkins, Jr.	
6,113,561	A	9/2000	Augustine	
6,153,607	A	11/2000	Pflugfelder et al.	
6,155,995	A	12/2000	Lin	
6,181,970	B1	1/2001	Kasevich	
6,193,740	B1	2/2001	Rodriguez	
6,206,842	B1	3/2001	Tu et al.	
6,213,966	B1	4/2001	Augustine	
6,423,018	B1	7/2002	Augustine	
6,425,888	B1	7/2002	Embleton et al.	
6,438,398	B1	8/2002	Pflugfelder et al.	
6,455,583	B1	9/2002	Pflugfelder et al.	
6,490,488	B1	12/2002	Rudie et al.	
6,641,264	B1	11/2003	Schwebel	
6,788,977	B2	9/2004	Fenn et al.	
6,827,898	B1	12/2004	Fausset et al.	
6,840,954	B2	1/2005	Dietz et al.	
6,860,852	B2	3/2005	Schonenberger et al.	
6,860,880	B2	3/2005	Treat et al.	
6,874,884	B2	4/2005	Schwebel	
6,882,885	B2	4/2005	Levy, Jr. et al.	
6,886,933	B2	5/2005	Schwebel	
6,908,195	B2*	6/2005	Fuller	351/158
6,925,317	B1	8/2005	Samuels et al.	
6,974,454	B2	12/2005	Hooven	
7,001,379	B2	2/2006	Behl et al.	
7,004,942	B2	2/2006	Laird et al.	
7,036,928	B2	5/2006	Schwebel	
7,069,084	B2	6/2006	Yee	
7,108,694	B2	9/2006	Miura et al.	
7,118,591	B2	10/2006	Frank et al.	
7,123,968	B1	10/2006	Casscells, III et al.	
7,211,070	B2	5/2007	Soroudi	
7,231,922	B2*	6/2007	Davison et al.	128/858
7,357,500	B2*	4/2008	Schwebel	351/62
7,513,893	B2*	4/2009	Soroudi	604/294
2002/0035345	A1	5/2002	Beck	
2003/0056281	A1	3/2003	Hasegawa	
2003/0211043	A1	11/2003	Korb	
2004/0153093	A1	8/2004	Donovan	
2005/0022823	A1*	2/2005	Davison et al.	128/858
2005/0220742	A1	10/2005	Breen	
2006/0018953	A1	1/2006	Guillon et al.	
2006/0030604	A1	2/2006	Elsinger et al.	
2006/0154901	A1	7/2006	Pflugfelder et al.	
2006/0183698	A1	8/2006	Abelson	
2006/0233859	A1	10/2006	Whitcup et al.	
2007/0016256	A1	1/2007	Korb et al.	
2007/0049913	A1*	3/2007	Grenon et al.	606/27
2007/0203462	A1	8/2007	Soroudi	
2007/0280924	A1	12/2007	Daniels et al.	
2008/0051741	A1*	2/2008	Grenon et al.	604/290
2008/0075787	A1	3/2008	Hibino	
2009/0043365	A1*	2/2009	Friedland et al.	607/108

FOREIGN PATENT DOCUMENTS

JP	11221247	8/1999
JP	200278727	3/2002
JP	2006198249	8/2006
WO	99/09965	3/1999
WO	99/58131	A1 11/1999
WO	2004/041134	A1 5/2004

OTHER PUBLICATIONS

Korb, Donald R. et al., "Increase in Tear Film Lipid Layer Thickness Following Treatment of Meibomian Gland Dysfunction" Lacrimal

Gland, Tear Film and Dry Eye Syndromes: Basic Science Clinical Relevance. *Adv. Exp. Med. Biol.*, vol. 350, 1994, 6 pages (pp. 293-298).

Sullivan, Benjamin D., et al., "Impact of Antiandrogen Treatment on the Fatty Acid Profile of Neutral Lipids in Human Meibomian Gland Secretions," *The Journal of Clinical Endocrinology & Metabolism*, vol. 85, No. 12, 2000, 8 pages (pp. 4866-4873).

Goto, E., et al., "Treatment of Non-Inflamed Obstructive Meibomian Gland Dysfunction by an Infrared Warm Compression Device" *British Journal of Ophthalmology*, BJO Online, <http://www.bmjournals.com/cgi/reprintform>, vol. 26, 2002, 6 pages (pp. 1402-1407).

Goto, Eiki, et al., "Tear Evaporation Dynamics in Normal Subjects and Subjects with Obstructive Meibomian Gland Dysfunction," *Investigative Ophthalmology & Visual Science*, vol. 44, No. 2, Feb. 2003, 7 pages (pp. 533-539)

Kuscu, Naci Kemal, et al., "Tear Function Changes of Postmenopausal Women in Response to Hormone Replacement Therapy," *Maturitas* 44, 63-68, 2003, 6 pages.

Mori, Asako, et al., "Disposable Eyelid-Warming Device for the Treatment of Meibomian Gland Dysfunction," *Jpn J Ophthalmol*, vol. 47: 578-586, 2003, 9 page (pp. 578-586).

Olson, Mary Catherine, B.A., et al., "Increase in Tear Film Lipid Layer Thickness Following Treatment with Warm Compresses in Patients with Meibomian Gland Dysfunction" *Eye & Contact Lens*, vol. 29(2), 2003, 6 pages.

Romero, Juan M., et al., "Conservative Treatment of Meibomian Gland Dysfunction," *Eye and Contact Lens*, vol. 30, No. 1, 2004, 6 pages (pp. 14-19).

Lemp, Michael A., et al., "The Therapeutic Role of Lipids—Managing Ocular Surface Disease," *Refractive Eyecare for Ophthalmologists*, vol. 9, No. 6, Jun. 2005, 14 pages.

Mitra, M. et al., "Tear Film Lipid Layer Thickness and Ocular Comfort after Meibomian Therapy via Latent Heat with a Novel Device in Normal Subjects" *Eye*, vol. 19, 2005, 4 pages (p. 657-660).

Minco "Introducing: Thermofoil Heaters" *Bulletin HS-202*, 9 pages. Unknown, "Anatomy of the Eye and Orbit," p. 170.

Paugh, J.R. et al., "Meibomian Therapy in Problematic Contact Lens Wear," *Entrepreneur PubMed, Optom Vis Sci*. Nov. 1990; 68(11): 803-6, 1 page.

Tobler, David et al., "Nanotech Silver Fights Microbes in Medical Devices," *ND & DI, devicelink.com*, 1 page.

Unknown, "IFU Manual for PNT Model 1000—Rev H," 24 pages.

Blackie, Caroline A. et al., "Recovery Time of an Optimally Secreting Meibomian Gland," *Cornea*, vol. 28, No. 3, Apr. 2009, pp. 293-297.

"New Over-the-Counter Dry Eye Drop Now Available to Help Estimated 40 Percent of Americans Who Suffer from Occasional or Chronic Dry Eye" *Business Wire News Release*, Published Mar. 31, 2008.

Gupta, S. et al. "Docetaxel-induced Meibomian Duct Inflammation and Blockage Leading to Chalazion Formation" *Prostate Cancer Prostatic Diseases*, vol. 10, No. 4, 2007.

Aronowicz, J D et al. "Short Term Oral Minocycline Treatment of Meibomiantis" *Br. J Ophthalmol*, vol. 90, No. 7, Jul. 2006.

Goto, E. et al., "Treatment of Non-Inflamed Obstructive Meibomian Gland Dysfunction by an Infrared Warm Compression Device" *Br J Ophthalmol*, vol. 86, No. 12, Dec. 2002.

"arGentis Licenses Third Treatment for Dry Eye Syndrome" www.businesswire.com, May 12, 2008.

Blackie, Caroline A. et al., "Inner Eyelid Surface Temperature as a Function of Warm Compress Methodology," *Optometry and Vision Science*, vol. 85, No. 8, Aug. 2008, pp. 675-683.

Kokke, K.H. et al., "Oral Omega-6 Essential Fatty Acid Treatment in Contact Lens Associated Dry Eye," *Contact Lens and Anterior Eye*, vol. 31, No. 3, 2008, pp. 141-146.

Korb, Donald R., Slide entitled "Inner Eyelid Surface Temperature as a Function of Warm Compress Methodology," from presentation entitled "The Tear Film and Dry Eye States A Fertile Research Area," University of California at Berkeley, School of Optometry, Apr. 11, 2008, 2 pages.

Korb, Donald R. et al., Slide entitled "Inner Eyelid Surface Temperature as a Function of Warm Compress Methodology," from presentation entitled "The Greatest Anterior Segment Disease and Contact Lens Complications Course," AOA Meeting, Seattle, Washington, Jun. 27, 2008, 2 pages.

* cited by examiner

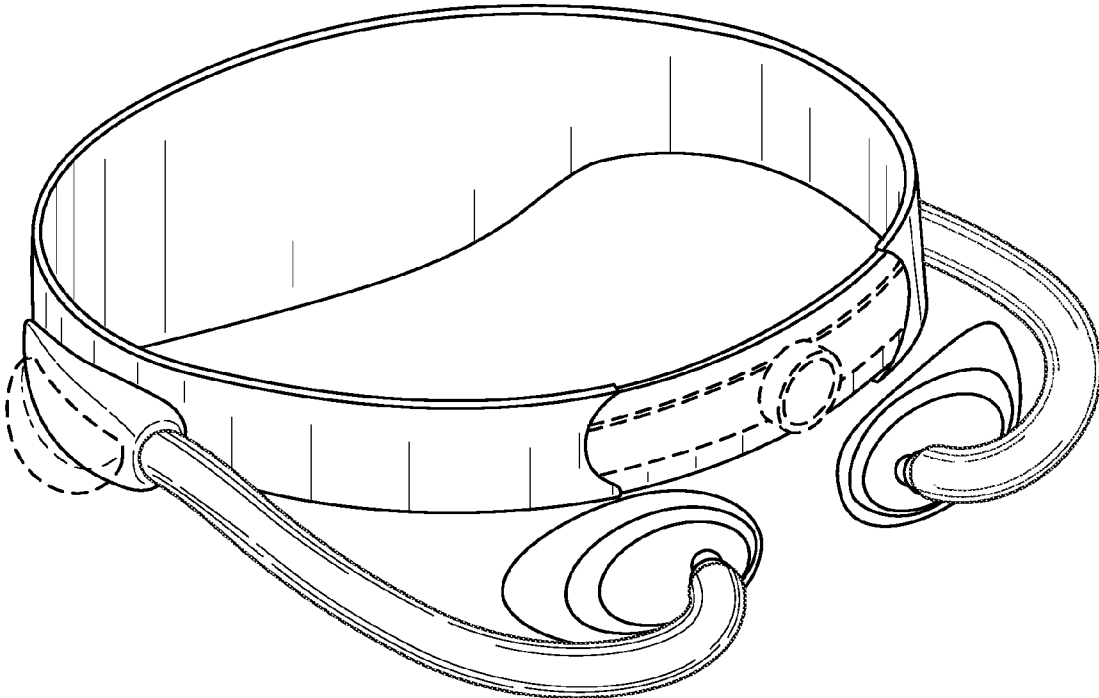


FIG. 1

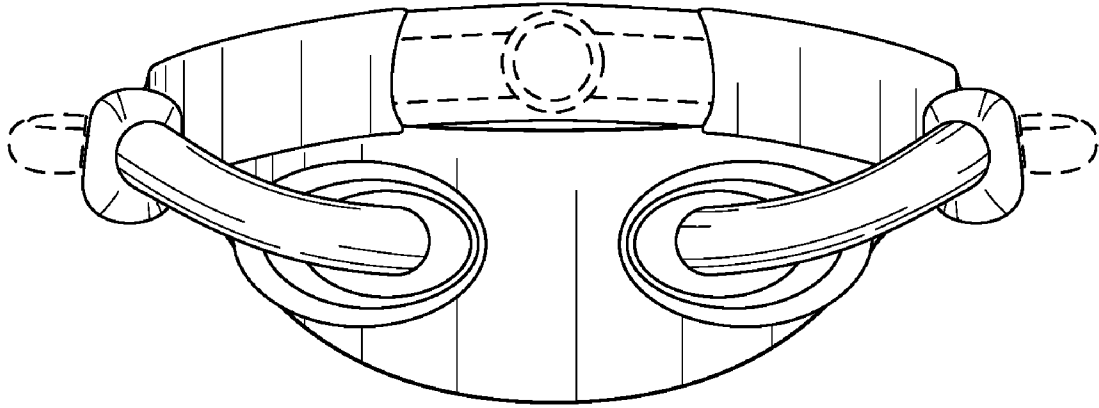


FIG. 2

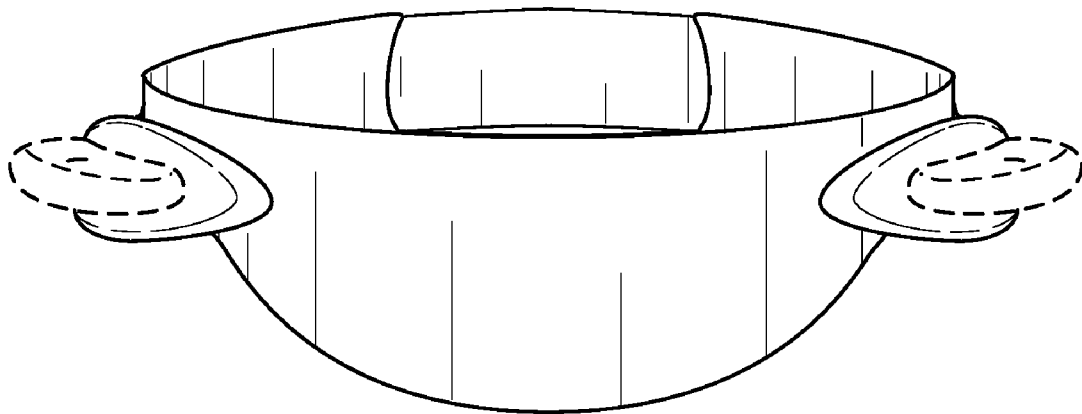


FIG. 3

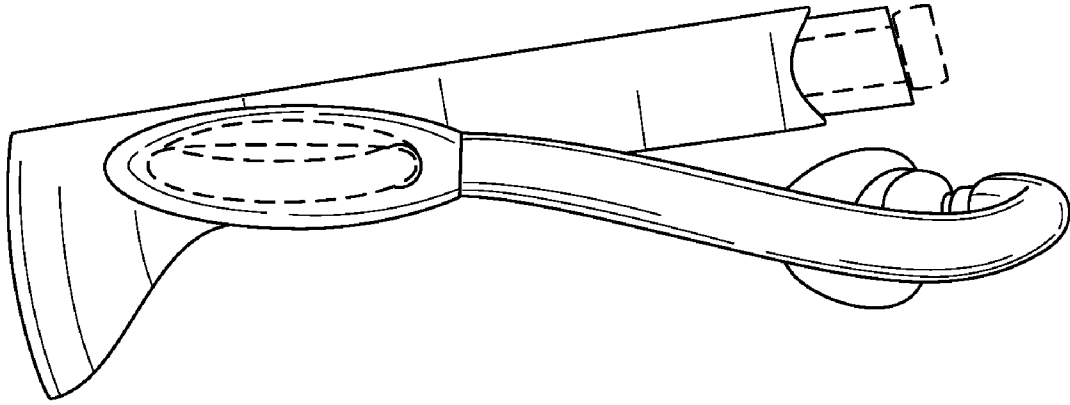


FIG. 4

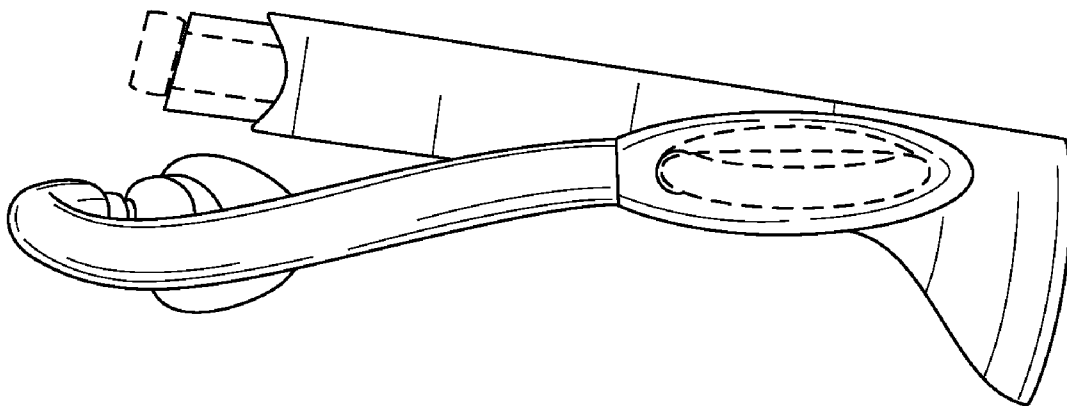


FIG. 5

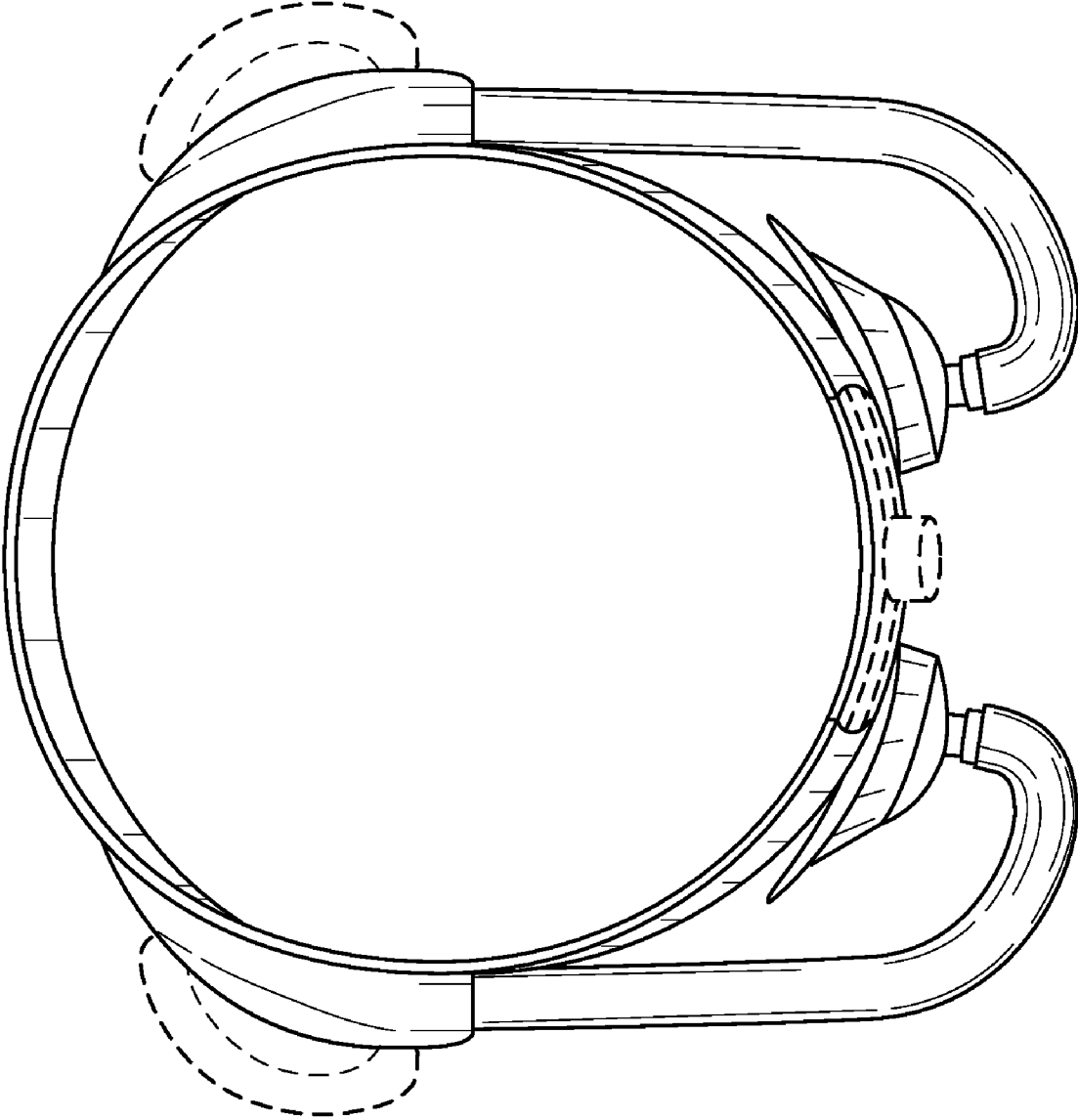


FIG. 6

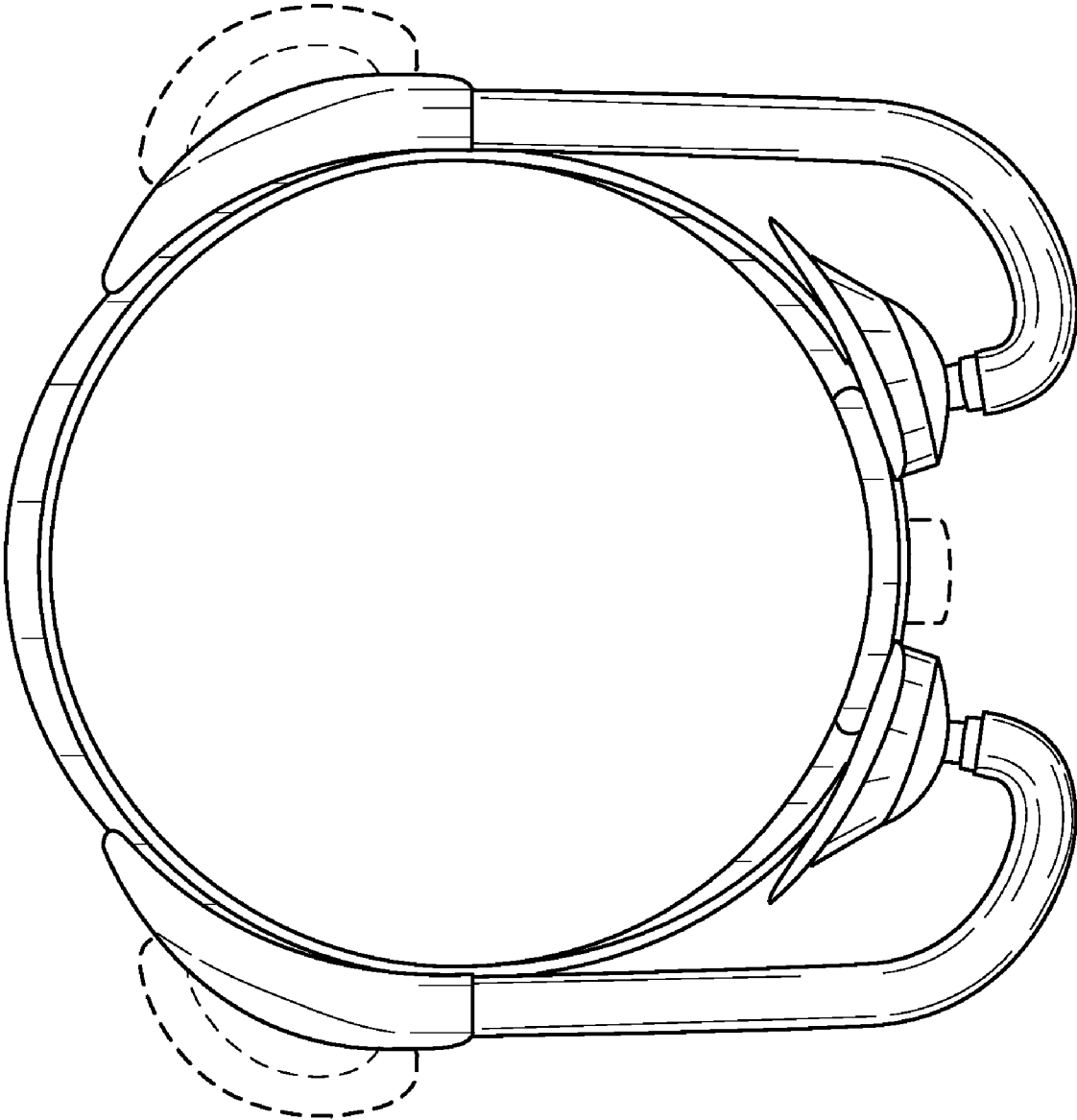


FIG. 7