



US00D638128S

(12) **United States Design Patent**  
**Prokop et al.**

(10) **Patent No.:** **US D638,128 S**

(45) **Date of Patent:** **\*\* \*May 17, 2011**

(54) **OCULAR DEVICE DESIGN**

D352,106 S \* 11/1994 Fanney et al. .... D24/185  
5,368,582 A 11/1994 Bertera  
5,368,591 A 11/1994 Lennox et al.  
5,425,380 A 6/1995 Hudson et al.

(Continued)

(75) Inventors: **Gary F. Prokop**, Wheaton, IL (US); **Don Lehman**, Chicago, IL (US); **David Chesley**, Duxbury, MA (US); **Joey Nakayama**, Chicago, IL (US); **Keith Gausmann**, Cary, NC (US); **Adam Ruggles**, Chicago, IL (US)

**FOREIGN PATENT DOCUMENTS**

CA 2679448 A1 9/2008

(Continued)

(73) Assignee: **TearScience, Inc.**, Morrisville, NC (US)

**OTHER PUBLICATIONS**

(\*\*) Term: **14 Years**

Sullivan, David et al., "Do Sex Steroids Exert Sex-Specific and/or Opposite Effects on Gene Expression in Lacrimal and Meibomian Glands?" *Molecular Vision*, vol. 15, No. 166, Aug. 10, 2009, pp. 1553-1572.

(21) Appl. No.: **29/344,914**

(Continued)

(22) Filed: **Oct. 6, 2009**

(51) **LOC (9) Cl.** ..... **24-01**

*Primary Examiner* — T. Chase Nelson

(52) **U.S. Cl.** ..... **D24/172**

*Assistant Examiner* — Anhdao Doan

(58) **Field of Classification Search** ..... D24/172,  
D24/185, 186; D14/126, 371, 375, 376,  
D14/382; 351/209–212, 206

(74) *Attorney, Agent, or Firm* — Withrow & Terranova, PLLC

See application file for complete search history.

(56) **References Cited**

(57) **CLAIM**

The ornamental design for an ocular device design, as shown and described.

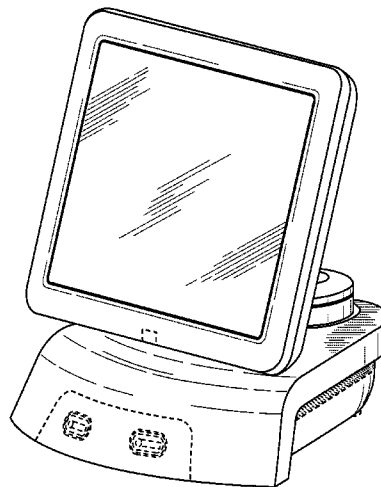
**U.S. PATENT DOCUMENTS**

**DESCRIPTION**

1,006,945 A	10/1911	Houston
1,924,315 A	8/1933	Hemphill et al.
2,891,252 A	6/1959	Lazo
3,333,586 A	8/1967	Bellis et al.
3,404,678 A	10/1968	Von Ardenne
3,667,476 A	6/1972	Muller
4,261,364 A	4/1981	Haddad et al.
4,778,457 A	10/1988	York
4,883,454 A	11/1989	Hamburg
4,914,088 A	4/1990	Glonek et al.
4,955,377 A	9/1990	Lennox et al.
4,958,632 A	9/1990	Duggan
5,030,214 A	7/1991	Spector
5,151,100 A	9/1992	Abele et al.
5,158,082 A	10/1992	Jones
5,213,097 A	5/1993	Zeindler
5,251,627 A	10/1993	Morris
5,283,063 A	2/1994	Freeman
5,343,561 A	9/1994	Adamo

FIG. 1 is a front perspective view of an ocular device design according to our design;  
FIG. 2 is a rear perspective view thereof;  
FIG. 3 is a front view thereof;  
FIG. 4 is a rear view thereof;  
FIG. 5 is a left side view thereof, the right side view being a mirror image;  
FIG. 6 is a top view thereof; and,  
FIG. 7 is a bottom side view thereof.  
The broken lines in the drawing figures are included for the purpose of illustrating portions of the ocular device that form no part of the claimed design.

**1 Claim, 7 Drawing Sheets**



U.S. PATENT DOCUMENTS

5,496,311	A	3/1996	Abele et al.	
5,601,548	A	2/1997	Smith et al.	
5,643,336	A	7/1997	Lopez-Claros	
5,700,238	A	12/1997	Hyson	
5,720,773	A	2/1998	Lopez-Claros	
5,807,357	A	9/1998	Kang	
5,836,927	A	11/1998	Fried	
5,958,912	A	9/1999	Sullivan	
5,964,723	A	10/1999	Augustine	
6,024,095	A	2/2000	Stanley, III	
6,107,289	A	8/2000	Sullivan	
6,110,292	A	8/2000	Jewett et al.	
6,112,900	A	9/2000	Adkins, Jr.	
6,113,561	A	9/2000	Augustine	
6,153,607	A	11/2000	Pflugfelder et al.	
6,155,995	A	12/2000	Lin	
6,181,970	B1	1/2001	Kasevich	
6,193,740	B1	2/2001	Rodriguez	
6,206,842	B1	3/2001	Tu et al.	
6,213,966	B1	4/2001	Augustine	
6,273,886	B1	8/2001	Edwards et al.	
D456,079	S *	4/2002	Fujii	D24/172
6,423,018	B1	7/2002	Augustine	
6,425,888	B1	7/2002	Embleton et al.	
6,438,398	B1	8/2002	Pflugfelder et al.	
6,455,583	B1	9/2002	Pflugfelder et al.	
6,482,203	B2	11/2002	Paddock et al.	
6,490,488	B1	12/2002	Rudie et al.	
D472,637	S *	4/2003	Cooper et al.	D24/172
6,544,257	B2	4/2003	Nagase et al.	
D477,084	S *	7/2003	Menezes et al.	D24/172
6,641,264	B1	11/2003	Schwebel	
6,788,977	B2	9/2004	Fenn et al.	
6,827,898	B1	12/2004	Fausset et al.	
6,840,954	B2	1/2005	Dietz et al.	
6,860,852	B2	3/2005	Schonenberger et al.	
6,860,880	B2	3/2005	Treat et al.	
6,874,884	B2	4/2005	Schwebel	
6,882,885	B2	4/2005	Levy, Jr. et al.	
6,886,933	B2	5/2005	Schwebel	
6,908,195	B2	6/2005	Fuller	
6,925,317	B1	8/2005	Samuels et al.	
6,974,454	B2	12/2005	Hooven	
7,001,379	B2	2/2006	Behl et al.	
7,004,942	B2	2/2006	Laird et al.	
7,036,928	B2	5/2006	Schwebel	
7,069,084	B2	6/2006	Yee	
7,108,694	B2	9/2006	Miura et al.	
7,118,591	B2	10/2006	Frank et al.	
7,123,968	B1	10/2006	Casscells, III et al.	
7,211,070	B2	5/2007	Soroudi	
7,231,922	B2	6/2007	Davison et al.	
D546,459	S *	7/2007	Banryu	D24/186
D552,736	S *	10/2007	Yamaoka	D24/172
D553,750	S *	10/2007	Yamaoka	D24/172
7,357,500	B2	4/2008	Schwebel	
7,442,174	B2	10/2008	Butler	
7,513,893	B2	4/2009	Soroudi	
7,594,728	B2 *	9/2009	Seal et al.	351/210
D612,941	S *	3/2010	Youngquist et al.	D24/172
D614,774	S *	4/2010	Gausmann et al.	D24/172
7,712,899	B2 *	5/2010	Tanassi et al.	351/206
2001/0041886	A1	11/2001	Durkin et al.	
2002/0035345	A1	3/2002	Beck	
2002/0099094	A1	7/2002	Anderson	
2002/0111608	A1	8/2002	Baerveldt et al.	
2002/0128696	A1	9/2002	Pearl et al.	
2003/0056281	A1	3/2003	Hasegawa	
2003/0065277	A1	4/2003	Covington	
2003/0114426	A1	6/2003	Pflugfelder et al.	
2003/0139790	A1	7/2003	Ingle et al.	
2003/0195438	A1	10/2003	Petillo	
2003/0211043	A1	11/2003	Korb	
2003/0233135	A1	12/2003	Yee	
2004/0064169	A1	4/2004	Briscoe et al.	
2004/0064171	A1	4/2004	Briscoe et al.	
2004/0076695	A1	4/2004	Gilbard	
2004/0111138	A1	6/2004	Bleam et al.	

2004/0153093	A1	8/2004	Donovan	
2004/0237969	A1	12/2004	Fuller	
2004/0249427	A1	12/2004	Nabils	
2005/0022823	A1	2/2005	Davison et al.	
2005/0119629	A1	6/2005	Soroudi	
2005/0143798	A1	6/2005	Bleam et al.	
2005/0220742	A1	10/2005	Breen	
2006/0018953	A1	1/2006	Guillon et al.	
2006/0030604	A1	2/2006	Elsinger et al.	
2006/0055878	A1	3/2006	Yee	
2006/0104914	A1	5/2006	Soroudi	
2006/0139569	A1	6/2006	Schwebel	
2006/0154901	A1	7/2006	Pflugfelder et al.	
2006/0157064	A1	7/2006	Davison et al.	
2006/0183698	A1	8/2006	Abelson	
2006/0233859	A1	10/2006	Whitcup et al.	
2007/0016256	A1	1/2007	Korb et al.	
2007/0049913	A1	3/2007	Grenon et al.	
2007/0173799	A1	7/2007	Hsia	
2007/0203462	A1	8/2007	Soroudi	
2007/0280924	A1	12/2007	Daniels et al.	
2008/0051741	A1	2/2008	Grenon et al.	
2008/0075787	A1	3/2008	Hibino	
2008/0132973	A1	6/2008	Lord et al.	
2009/0043365	A1	2/2009	Friedland et al.	
2009/0137533	A1	5/2009	Adkins, Jr.	
2009/0306111	A1	12/2009	Nakamura et al.	
2010/0100029	A1	4/2010	Maskin	
2010/0292630	A1	11/2010	Maskin	

FOREIGN PATENT DOCUMENTS

DE	202005011496	U1	7/2006
EP	2151438	A1	2/2010
EP	1587468	B1	1/2011
JP	06269473	A	9/1994
JP	11221247		8/1999
JP	2002078727		3/2002
JP	2006198249		8/2006
JP	2010155012	A	7/2010
WO	9958131		11/1999
WO	2004041134	A1	5/2004
WO	2008024100	A2	2/2008
WO	2008106228	A2	9/2008
WO	2009064834	A2	5/2009

OTHER PUBLICATIONS

Paugh, Jerry R. et al., "Precorneal Residence Time of Artificial Tears Measured in Dry Eye Subjects," *Optometry and Vision Science*, vol. 85, No. 8, Aug. 2008, pp. 725-731.

Lemp, Michael A. et al., "Blepharitis in the United States 2009: A Survey-Based Perspective on Prevalence and Treatment." *Ocul. Surf.*, vol. 7, No. 2 Suppl, Apr. 2009, pp. S1-S14.

Matsumoto, Yukihiro et al., "The Evaluation of the Treatment Response in Obstructive Meibomian Gland Disease by In Vivo Laser Confocal Microscopy," *Graefes Arch Clin Exp Ophthalmol*, vol. 247, No. 6, Jun. 2009, pp. 821-829.

Toyos, Rolando, "Intense Pulsed Light for Dry Eye Syndrome," *Cataract & Refractive Surgery Today*, Apr. 2009, pp. 1-3.

Donnenfeld, Eric et al., "Topical Ophthalmic Cyclosporine: Pharmacology and Clinical Uses," *Survey of Ophthalmology*, vol. 54, No. 3, May/Jun. 2009, pp. 321-338.

Suzuki, Tomo et al., "Estrogen and Progesterone Control of Gene Expression in the Mouse Meibomian Gland," *Invest. Ophthalmol. Vis. Sci.*, vol. 49, No. 5, Apr. 2008, pp. 1797-1818.

Vasta, Stephanie, "Aggressive Treatments Developed for Meibomian Gland Dysfunction," *Primary Care Optometry News*, Nov. 1, 2009, 3 pages.

"arGentis Licenses Third Treatment for Dry Eye Syndrome" *Business Wire* 5/12/2008.

"New Over-the-Counter Dry Eye Drop Now Available to Help Estimated 40 Percent of Americans Who Suffer from Occasional or Chronic Dry Eye" *Business Wire News Release* Mar. 31, 2008.

Aronowicz, JD et al. "Short Term Oral Minocycline Treatment of Meibomianitis," *Br. J. Ophthalmol*, vol. 90, No. 7, Jul. 2006.

- Blackie, Caroline A. et al., "Inner Eyelid Surface Temperature as a Function of Warm Compress Methodology," *Optometry and Vision Science*, vol. 85, No. 8, Aug. 2008, pp. 675-683.
- Blackie, Caroline A. et al., "Recovery Time of an Optimally Secreting Meibomian Gland," *Cornea*, vol. 28, No. 3, Apr. 2009, pp. 293-297.
- Goto, E., et al. "Treatment of Non-Inflamed Obstructive Meibomian Gland Dysfunction by an Infrared Warm Compression Device," *Br. J. Ophthalmology*, vol. 86, pp. 1403-1407, Dec. 2002.
- Goto, Eiki, et al., "Tear Evaporation Dynamics in Normal Subjects and Subjects with Obstructive Meibomian Gland Dysfunction," *Investigative Ophthalmology & Visual Science*, vol. 44, No. 2, pp. 533-539, Feb. 2003.
- Gupta, S. et al. "Docetaxel-Induced Meibomian Duct Inflammation and Blockage Leading to Chalazion Formation," *Prostate Cancer Prostatic Diseases*, vol. 10, No. 4, 2007.
- Kokke, K.H. et al., "Oral Omega-6 Essential Fatty Acid Treatment in Contact Lens Associated Dry Eye," *Contact Lens and Anterior Eye*, vol. 31, No. 3, 2008, pp. 141-146.
- Korb, Donald R. et al., "Increase in Tear Film Lipid Layer Thickness Following Treatment of Meibomian Gland Dysfunction", *Lacrimal Gland, Tear Film & Dry Eye Syndromes*, Plenum Press, 1994, pp. 293-298.
- Korb, Donald R. et al., Slide entitled "Inner Eyelid Surface Temperature as a Function of Warm Compress Methodology," from presentation entitled "The Greatest Anterior Segment Disease and Contact Lens Complications Course," AOA Meeting, Seattle, Washington, Jun. 27, 2008, 2 pages.
- Korb, Donald R., O.D., et al., "Meibomian Gland Dysfunction and Contact Lens Intolerance," *Journal of the American Optometric Association*, vol. 51, No. 3, Mar. 1980, pp. 243-251.
- Korb, Donald R., Slide entitled "Inner Eyelid Surface Temperature as a Function of Warm Compress Methodology," from presentation entitled "The Tear Film and Dry Eye States A Fertile Research Area," University of California at Berkeley, School of Optometry, Apr. 11, 2008. 2 pages.
- Kuscu, Naci Kemal, et al., "Tear Function Changes of Postmenopausal Women in Response to Hormone Replacement Therapy," *Maturitas*, vol. 44, pp. 63-68, 2003.
- Lemp, Michael A., et al., "The Therapeutic Role of Lipids—Managing Ocular Surface Disease," *Supplement to Refractive Eyecare of Ophthalmologists*, vol. 9, No. 6, Jun. 2005.
- Minco "Introducing: Thermofoil Heaters," *Bulletin HS-202*, 9 pages.
- Mitra, M. et al., "Tear Film Lipid Layer Thickness and Ocular Comfort after Meibomian Therapy via Latent Heat with a Novel Device in Normal Subjects," *Eye*, pp. 1-4, 2004.
- Mori, A., et al., "Efficacy of the Treatment by the Disposable Eyelid Warming Instrument for Meibomian Gland Dysfunction," *Poster Presentation*, Hall A, 1 page.
- Mori, Asako, et al., "Disposable Eyelid-Warming Device for the Treatment of Meibomian Gland Dysfunction", *Japan Journal of Ophthalmology*, vol. 47, pp. 578-586, 2003.
- Olson, Mary Catherine, B.A., et al., "Increase in Tear Film Lipid Layer Thickness Following Treatment with Warm Compresses in Patients with Meibomian Gland Dysfunction," *Eye & Contact Lens*, vol. 29, No. 2, pp. 96-99, 2003.
- Paugh, J.R. et al., "Meibomian Therapy in Problematic Contact Lens Wear," *Entrepreneur PubMed, Optom Vis Sci*, vol. 68, No. 11, Nov. 1990, pp. 803-806 (abstract only).
- Romero, Juan M., et al., "Conservative Treatment of Meibomian Gland Dysfunction," *Contact Lens Association of Ophthalmology, Eye & Contact Lens*, vol. 30, pp. 14-19, 2004.
- Sullivan, Benjamin D., et al., "Impact of Antiandrogen Treatment on the Fatty Acid Profile of Neutral Lipids in Human Meibomian Gland Secretions," *Journal of Clinical Endocrinology & Metabolism*, Vo. 85, No. 12, pp. 4866-4873, 2000.
- Tobler, David et al., "Nanotech Silver Fights Microbes in Medical Devices," *ND & DI*, [devicelink.com](http://devicelink.com), 1 page.
- Unknown, "Anatomy of the Eye and Orbit," p. 170.
- Unknown, "IFU Manual for PNT Model 1000—Rev H," 24 pages.
- Korb, Donald et al., "The Effect of Two Novel Lubricant Eye Drops on Tear Film Lipid Layer Thickness in Subjects with Dry Eye Symptoms," *Optom. Vis. Sci.*, vol. 82, No. 7, 2005, pp. 594-601.
- Korb, Donald R. et al., "Tear Film Lipid Layer Thickness as a Function of Blinking," *Cornea*, vol. 13, No. 4, 1994, pp. 354-359.
- Knop, E. et al., "Meibomian Glands: Part III—Dysfunction—Argument for a Discrete Disease Entity and as an Important Cause of Dry Eye," *Ophthalmology*, vol. 106, No. 11, Nov. 2009, pp. 966-979. (Abstract Only).
- Knop, E. et al., "Meibomian Glands: Part IV—Functional Interactions in the Pathogenesis of Meibomian Gland Dysfunction (MGD)," *Ophthalmology*, vol. 106, No. 11, Nov. 2009, pp. 980-987. (Abstract Only).
- Foulks, Gary N. et al., "Topical Azithromycin Therapy for Meibomian Gland Dysfunction: Clinical Response and Lipid Alterations," *Cornea*, vol. 29, No. 7, Jul. 2010, pp. 781-788.
- Butovich, Igor et al., "Meibomian Lipid Glands and the Impact of Temperature," *Investigative Ophthalmology & Visual Science*, vol. 51, No. 11, Nov. 2010, pp. 5508-5518.
- Korb, Donald R. et al., "Restoration of Meibomian Gland Functionality with Novel Thermodynamic Treatment Device—A Case Report," *Cornea*, vol. 29, No. 8, Aug. 2010, pp. 930-933.
- Akyol-Salman, Ilknur et al., "Efficacy of Topical N-Acetylcysteine in the Treatment of Meibomian Gland Dysfunction," *Journal of Ocular Pharmacology and Therapeutics*, vol. 26, No. 4, Aug. 1, 2010, pp. 329-333.
- Wang, Y. et al., "Baseline Profiles of Ocular Surface and Tear Dynamics After Allogeneic Hematopoietic Stem Cell Transplantation in Patients With or Without Chronic GVHD-Related Dry Eye," *Bone Marrow Transplantation*, vol. 45, No. 6, Jun. 2010, pp. 1077-1083.
- Korb, Donald R. et al., "Lid Wiper Epitheliopathy and Dry Eye Symptoms," *Eye & Contact Lens*, vol. 31, No. 1, 2005, pp. 2-8.
- Foulks, Gary N., "Meibomian Gland Dysfunction: The Past, Present, and Future," *Eye and Contact Lens*, vol. 36, No. 5, Sep. 2010, pp. 249-253.
- Blackie, Caroline A. et al., "Nonobvious Obstructive Meibomian Gland Dysfunction" *Cornea*, vol. 29, No. 12, Dec. 2010, pp. 1333-1345.
- Haque, Reza M. et al., "Multicenter Open-label Study Evaluating the Efficacy of Azithromycin Ophthalmic Solution 1% on the Signs and Symptoms of Subjects with Blepharitis," *Cornea*, vol. 29, No. 8, Aug. 2010, pp. 871-877.
- Maskin, Steven L., "Intraductal Meibomian Gland Probing Relieves Symptoms of Obstructive Meibomian Gland Dysfunction," *Cornea*, vol. 29, No. 10, Oct. 2010, pp. 1145-1152.
- Dausch, Eva et al., "Dry Eye Syndrome in Women's Health and Gynecology: Etiology, Pathogenesis and Current Therapeutic Strategies," *Geburtshilfe und Frauenheilkunde*, vol. 70, No. 9, Jan. 1, 2010, pp. 707-711. (Abstract Only).

\* cited by examiner

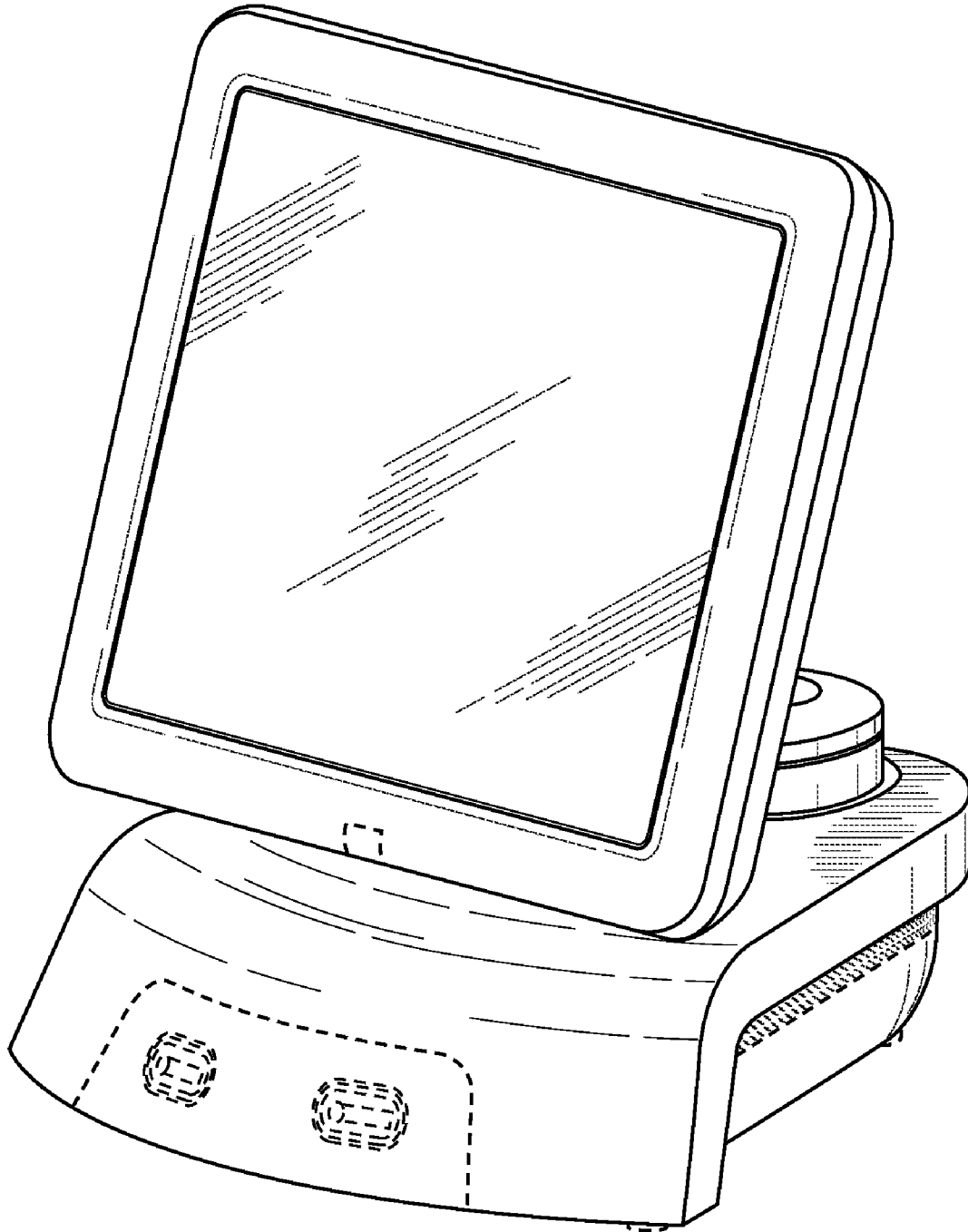


FIG. 1



**FIG. 2**

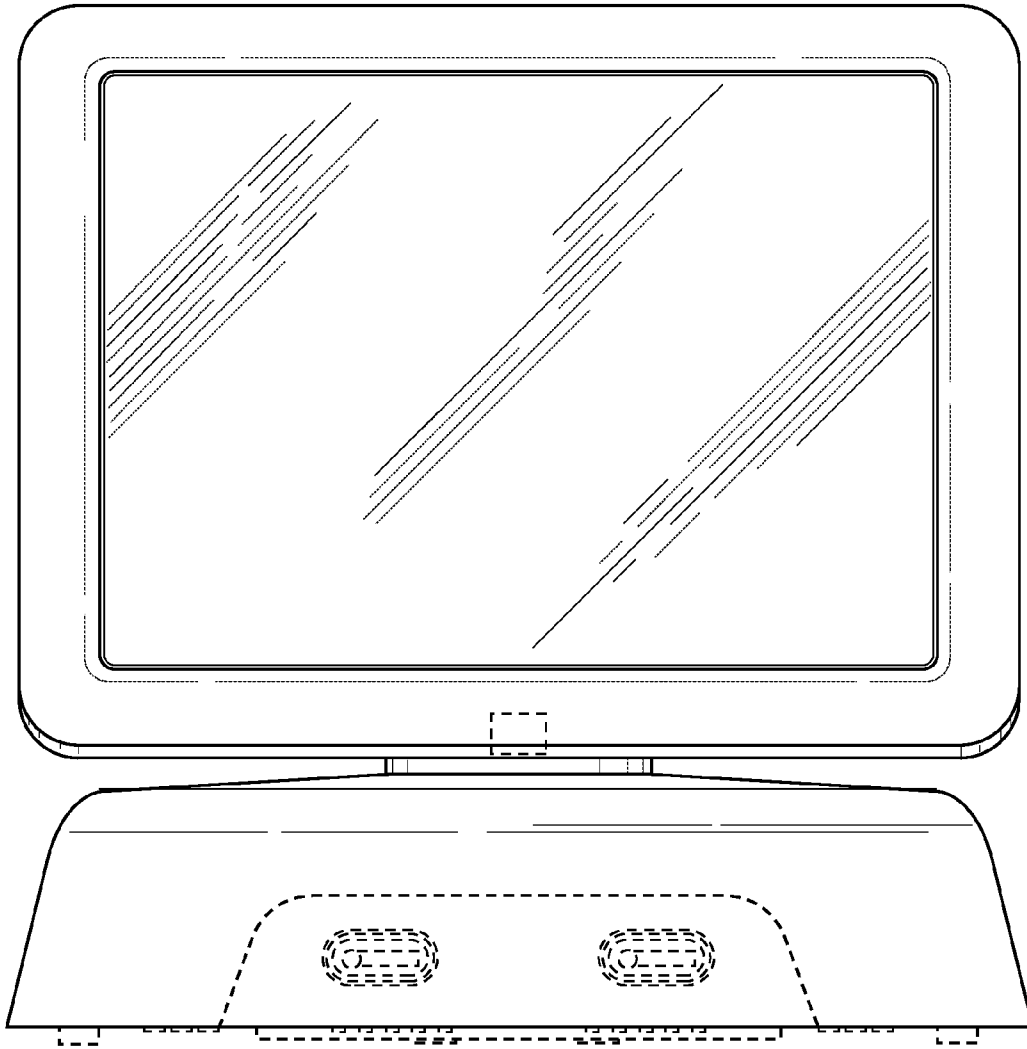


FIG. 3

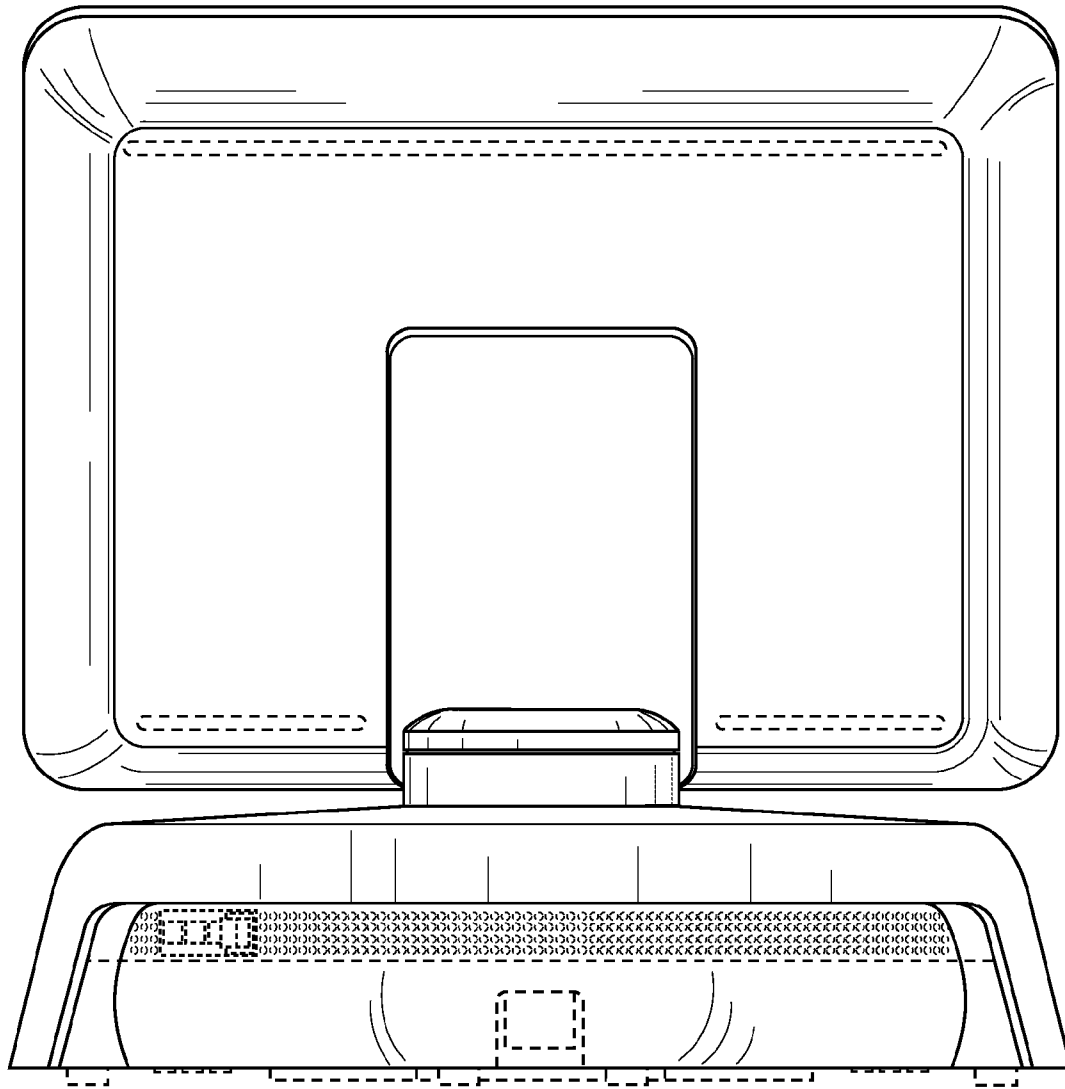


FIG. 4

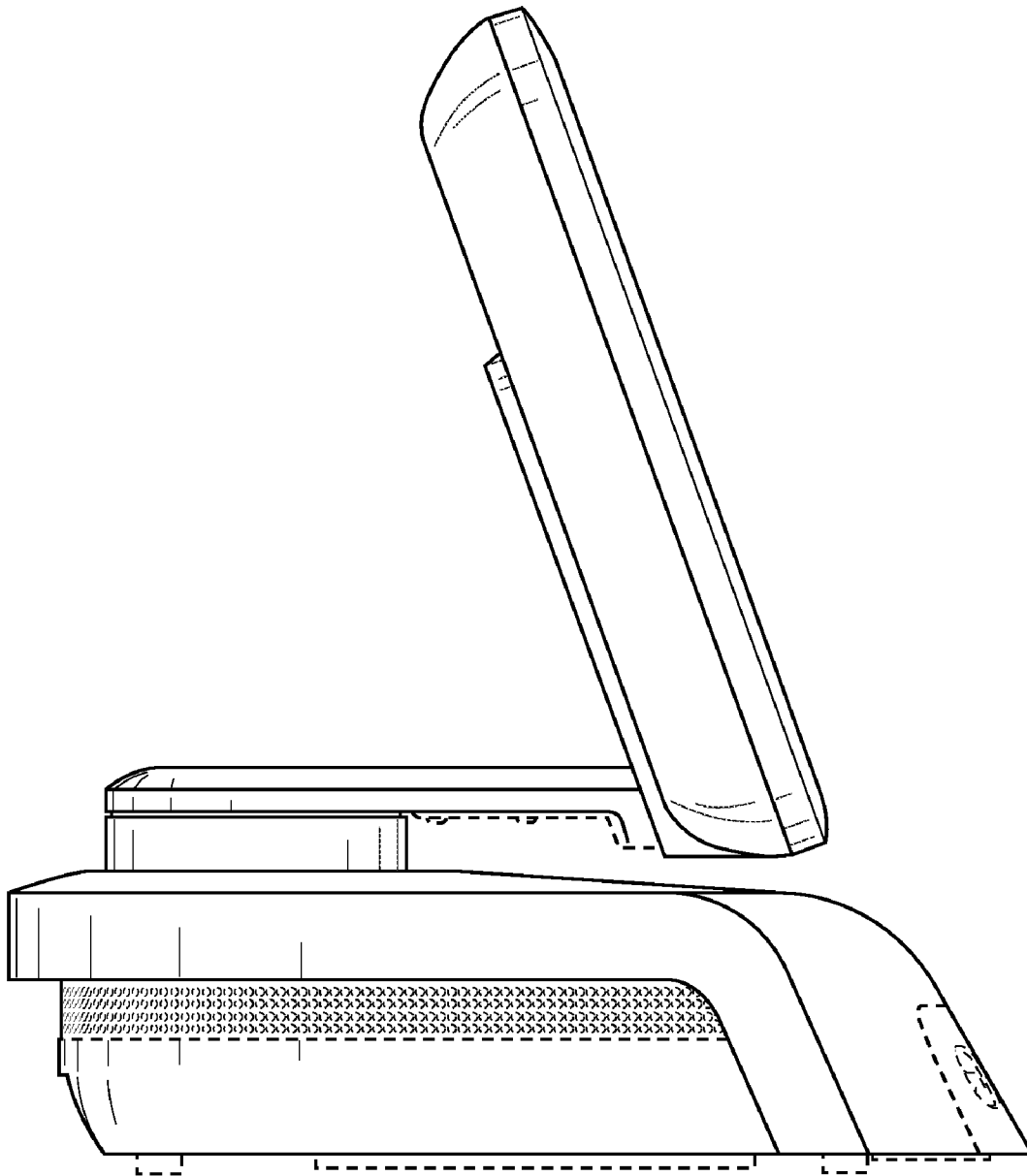


FIG. 5



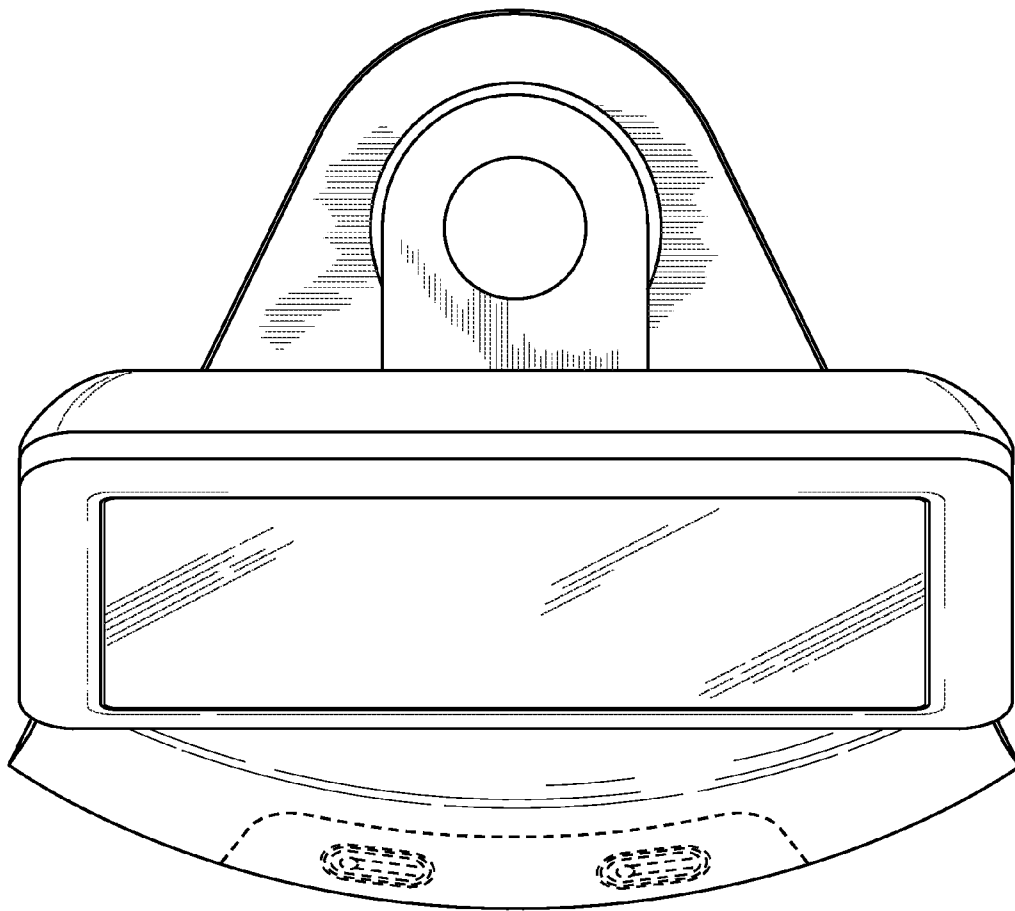


FIG. 6

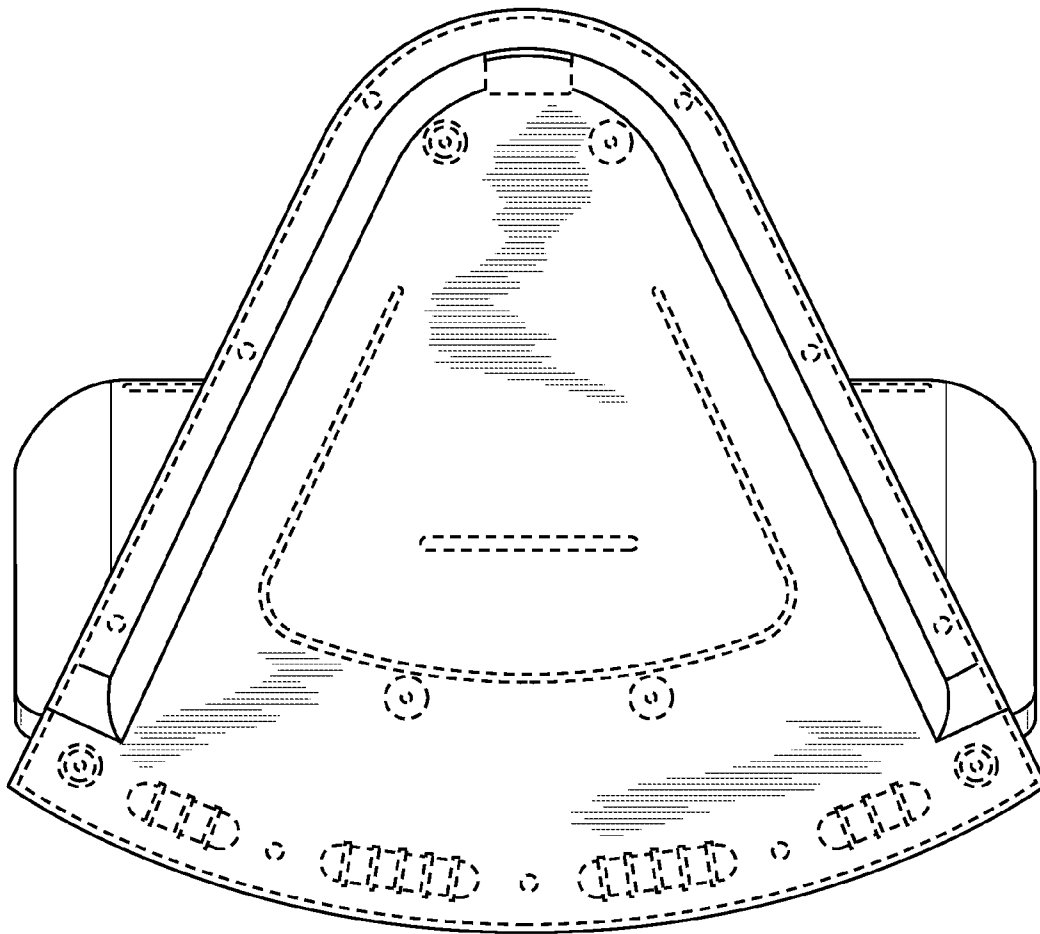


FIG. 7